



## Model: VR-1A

### INSTALLATION AND OPERATING INSTRUCTIONS

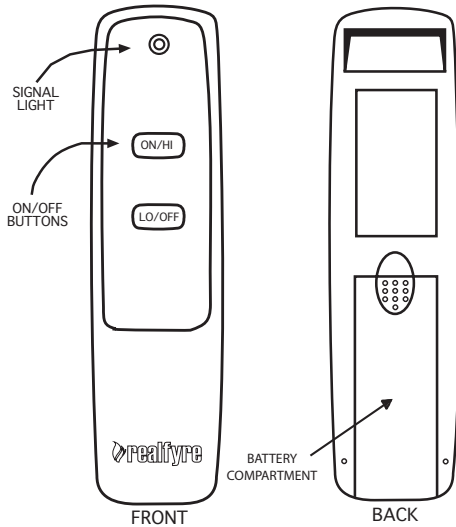
#### SINGLE-FUNCTION WIRELESS REMOTE CONTROL SYSTEM FOR OPERATING HI/LOW SERVO MOTOR

**IF YOU CANNOT READ OR UNDERSTAND THESE INSTALLATION INSTRUCTIONS DO NOT  
ATTEMPT TO INSTALL OR OPERATE**

### INTRODUCTION

This remote control system was developed to provide a safe, reliable, and user-friendly remote control system for gas heating appliances. The system is operated manually from the transmitter. The system operates on radio frequencies (RF) within a 20-foot range using non-directional signals. The system operates on one of 64,000 security codes that are programmed into the transmitter at the factory; the remote receiver must learn the transmitter code prior to initial use.

### TRANSMITTER



This remote control SYSTEM offers the user a battery-operated remote control to power a DC servo motor such as those used with gas valves used in some decorative gas logs, gas fireplaces and other gas heating appliances.

The servo motor circuit uses the battery power from the receiver to operate a servomotor. The circuit has reversing polarity software, which reverses the positive (+) and negative (-) output of the receiver's battery power to drive the servo motor forward/backward (HI/LO FLAME). The SYSTEM is controlled by the remote transmitter.

The transmitter operates on a 12V battery (A-23). Before using the transmitter install the 12-volt battery in the battery compartment.

It is recommended that ALKALINE batteries always be used for longer battery life and maximum operational performance.

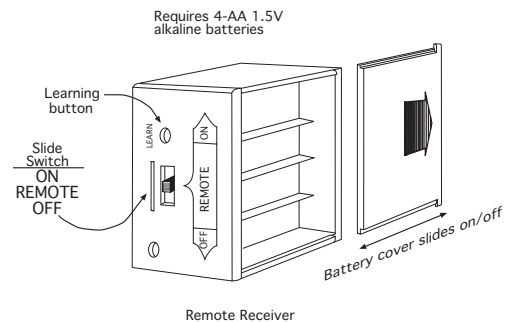
The transmitter has ON/HI and LO/OFF functions that are activated by pressing either button on the face of the transmitter. When a button on the transmitter is pressed, a signal light on the transmitter illuminates to verify that a signal is being sent. Upon initial use, there may be a delay of three seconds before the remote receiver will respond to the transmitter. This is part of the system's design. If the signal light does not illuminate, check the position of the transmitter's battery.

### REMOTE RECEIVER

#### IMPORTANT

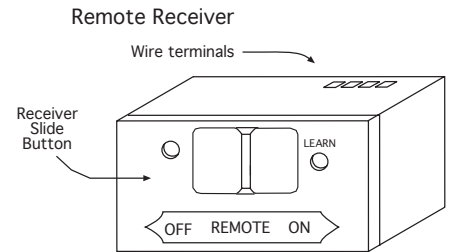
The remote receiver (right) operates on four 1.5V AA-size batteries. It is recommended that ALKALINE batteries be used for longer battery life and maximum microprocessor performance. **IMPORTANT:** New or fully charged batteries are essential to proper operation of the remote receiver as a servo motor's power consumption is substantially higher than standard remote control systems.

**NOTE:** The remote receiver will only respond to the transmitter when the 3-position slide button on the remote receiver is in the REMOTE position. The remote receiver houses the microprocessor that responds to commands from the transmitter to control system operation.



## **FUNCTIONS:**

- With the slide switch in the REMOTE position, the system will only operate if the remote receiver receives commands from the transmitter. Upon initial use or after an extended period of no use, the ON/HI button may have to be pressed for up to three seconds before activating servomotor. If the system does not respond to the transmitter on initial use, see LEARNING TRANSMITTER TO RECEIVER section.
- With the slide in the OFF position, the system is off.
- It is suggested that the slide switch be placed in the OFF position if you will be away from your home for an extended period of time. Placing the slide switch in the OFF position also functions as a safety "lock out" by both turning the system OFF and rendering the transmitter inoperative.
- Move slide switch to ON position and you can manually operate the system without the transmitter.



## **INSTALLATION INSTRUCTIONS**

### **WARNING**

**DO NOT CONNECT REMOTE RECEIVER DIRECTLY TO 110-120VAC POWER. THIS WILL BURN OUT THE RECEIVER. FOLLOW INSTRUCTIONS FROM MANUFACTURER OF GAS VALVE FOR CORRECT WIRING PROCEDURES. IMPROPER INSTALLATION OF ELECTRIC COMPONENTS CAN CAUSE DAMAGE TO GAS VALVE AND REMOTE RECEIVER.**

### **INSTALLATION**

The remote receiver can be mounted on or near the fireplace hearth. PROTECTION FROM EXTREME HEAT IS VERY IMPORTANT. Like any piece of electronic equipment, the remote receiver should be kept away from temperatures exceeding 120° F inside the receiver case. Battery life is also significantly shortened if batteries are exposed to high temperatures.

Make sure the remote receiver switch is in the OFF position. For best results it is recommended that 18 gage stranded wires should be used to make connections and no longer than 20-feet.

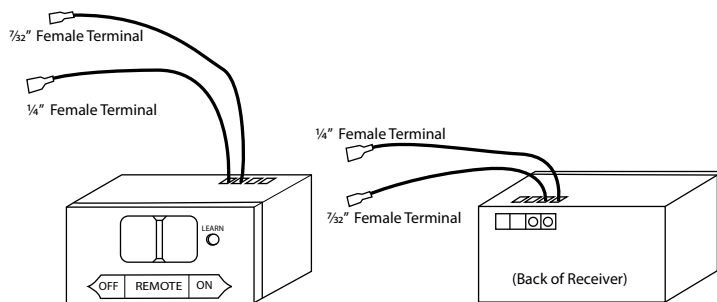
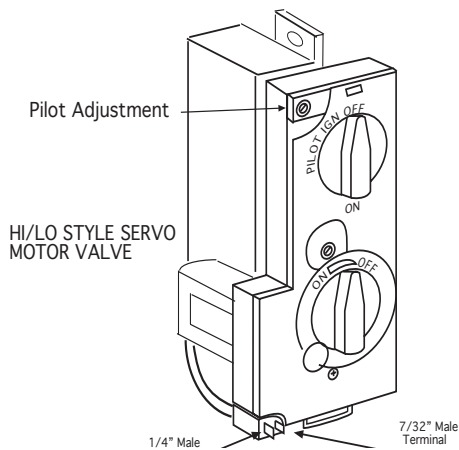
### **WIRING INSTRUCTION**

#### **CONNECTING THE RECEIVER TO A HI/LOW SERVO MOTOR STYLE VALVE SYSTEM**

1. Connect the BLACK 18 gage stranded wire with the 1/4" female terminal from the receiver to the 1/4" male terminal on the valve servomotor.
2. Connect the Black 18 gage stranded wire with the 7/32" female terminal from the receiver to the 7/32" male terminal on the valve servomotor.
3. After receiver wires are connected to the valve servo motor terminals make sure the receiver shield is located over the receiver and then locate the receiver in an area that will not exceed the 130° F.
4. Depending on where the receiver is located it may be necessary to shorten the length of the wires. This can be done by removing the (2) wires from the receiver cutting them to the desired length then reinstalling them into the same connections on the receiver.
5. Always mount the receiver to the side of the valve kit away from the fire.

**IMPORTANT NOTE:** Operation of these controls is dependent on which wire is attached to which terminal. If operation of control does not correspond to operating buttons on transmitter, reverse wire installation at the receiver or at the control.

**NOTE:** Up to 6 VDC of power is provided at the receiver terminal.



## GENERAL INFORMATION

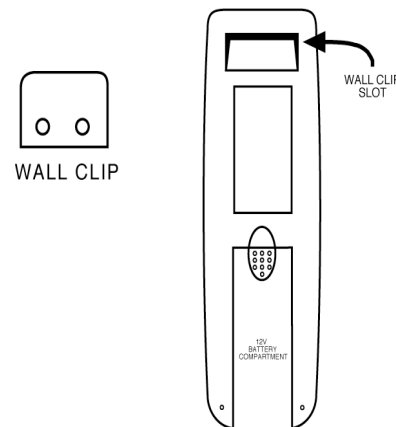
### LEARNING TRANSMITTER TO RECEIVER

Each transmitter uses a unique security code. It will be necessary to press the LEARN button on the receiver to accept the transmitter security code upon initial use, if batteries are replaced, or if a replacement transmitter is purchased from your dealer or the factory. In order for the receiver to accept the transmitter security code, be sure the slide button on the receiver is in the REMOTE position; the receiver will **not** LEARN if the slide switch is in the ON or OFF position. The LEARN button is located on the front face of the receiver; inside the small hole labeled LEARN. Using a small screwdriver or end of a paperclip gently press and release the black LEARN button inside the hole. When you release the LEARN button the receiver will emit an audible "beep". After the receiver emits the beep **PRESS** any button on the transmitter and release. The receiver will emit several beeps indicating that the transmitter's code has been accepted into the receiver.

The microprocessor that controls the security code matching procedure is controlled by a timing function. If you are unsuccessful in matching the security code on the first attempt, wait 1 - 2 minutes before trying again--this delay allows the microprocessor to reset its timer circuitry--and try up to two or three more times.

### TRANSMITTER WALL CLIP

The transmitter can be hung on a wall using the clip provided. If the clip is installed on a solid wood wall, drill 1/8" pilot holes and install with the screws provided. If it is installed on a plaster/wallboard wall, first drill two 1/4" holes into the wall. Then use a hammer to tap in the two plastic wall anchors flush with the wall; then install the screws provided.



### OPERATION

1. This remote control will operate the gas valves servomotor to turn the gas valve from full OFF to full ON.
2. When the ON button is depressed the transmitter is sending a continuous RF signal to the receiver. The receiver then sends a continuous 6 volts of power to the servomotor. The servomotor turns to open the gas flow to the burner then to full ON.
3. When the OFF button is depressed the transmitter is sending a continuous RF signal to the receiver. The receiver then sends a continuous 6 volts of power to the servomotor. The servomotor turns to close the gas flow to the burner then full OFF.
4. The receiver slide switch is for positive OFF, REMOTE or manual ON operation.

NOTE: Extensive use of the SERVO MOTOR setting will reduce the receiver's battery life significantly.

### BATTERY LIFE

Life expectancy of the alkaline batteries in the VR-1A can be up to 12 months depending on use of the servo function. Check all batteries annually. When the transmitter no longer operates the remote receiver from a distance it did previously (i.e., the transmitter's range has decreased) or the remote receiver does not function at all, the batteries should be checked. It is important that the remote receiver batteries are fully charged, providing combined output voltage of at least 5.0 volts. The transmitter should operate with as little as 9-volts battery power. **NOTE: Extensive use of the SERVO MOTOR setting will reduce the receiver's battery life significantly.**

## **TROUBLE SHOOTING**

If you encounter problems with your fireplace system, the problem may be with the fireplace itself or it could be with the VR-1A remote system. Review the appliance manufacturer's operation manual to make sure all connections are properly made. Then check the operation of the remote in the following manner:

1. Make sure the batteries are correctly installed in the RECEIVER. One reversed battery will keep receiver from operating properly.
2. Check battery in TRANSMITTER to make sure contacts are touching (+) and (-) ends of battery. Bend metal contacts in for tighter fit.
3. Be sure RECEIVER and TRANSMITTER is within 20 to 25-foot operating range.
4. Clear Codes: Memory in the receiver might be full if the learn button is pressed too many times. If this happens it will not allow any more codes to be learned and no audible beep will be heard. To clear memory, place the receiver slide switch into the REMOTE position. Press the learn button and release after 10 seconds. You should hear three (3) long audible beeps indicating all codes have cleared. You can now "learn" the transmitter to the receiver as described in the General Information Section.
5. Keep RECEIVER from temperatures exceeding 120° F. Battery life shortened when ambient temperatures are above 115° F.
6. If RECEIVER is installed in tightly enclosed metal surround, the operating distance will be shortened.

## **SPECIFICATIONS**

BATTERIES: Transmitter 12V - (A23)  
Remote Receiver 6V - 4 ea. AA 1.5 Alkaline  
Operating Frequency: 303.8 MHZ

### **FCC REQUIREMENTS**

**NOTE: THE MANUFACTURER IS NOT RESPONSIBLE FOR ANY RADIO OR TV INTERFERENCE CAUSED BY UNAUTHORIZED MODIFICATIONS TO THIS EQUIPMENT. SUCH MODIFICATIONS COULD VOID THE USER'S AUTHORITY TO OPERATE THE EQUIPMENT.**

### **Federal Communication Commission Interference Statement**

This equipment has been tested and found to comply with the limits for a Class B digital device, pursuant to Part 15 of the FCC Rules. These limits are designed to provide reasonable protection against harmful interference in a residential installation. This equipment generates, uses, and can radiate radio frequency energy and, if not installed and used in accordance with the instructions, may cause harmful interference to radio communications. However, there is no guarantee that interference will not occur in a particular installation. If this equipment does cause harmful interference to radio or television reception, which can be determined by turning the equipment off and on, the user is encouraged to try to correct the interference by one or more of the following measures:

- Reorient or relocate the receiving antenna.
- Increase the separation between the equipment and receiver.
- Connect the equipment into an outlet on a circuit different from that to which the receiver is connected.
- Consult the dealer or an experienced radio/TV technician for help.

This device complies with Industry Canada license - exempt RSS standard(s).

Operation is subject to the following two conditions:

- (1) This device may not cause interference, and
- (2) This device must accept any interference, including interference that may cause undesired operation of the device.

Cet appareil est conforme aux normes RSS exemptes de licence d'Industrie Canada.

Le fonctionnement est soumis aux deux conditions suivantes:

- (1) Cet appareil ne doit pas causer d'interférences et
- (2) Cet appareil doit accepter toute interférence, y compris les interférences pouvant entraîner un fonctionnement indésirable de l'appareil.

This device complies with RSS 210 of Industry Canada. This Class B device meets all the requirements of the Canadian interference-causing equipment regulations.

Cet appareil est conforme à la norme RSS 210 d'Industrie Canada. Cet appareil de classe B respecte toutes les exigences du règlement canadien sur le matériel brouilleur.

